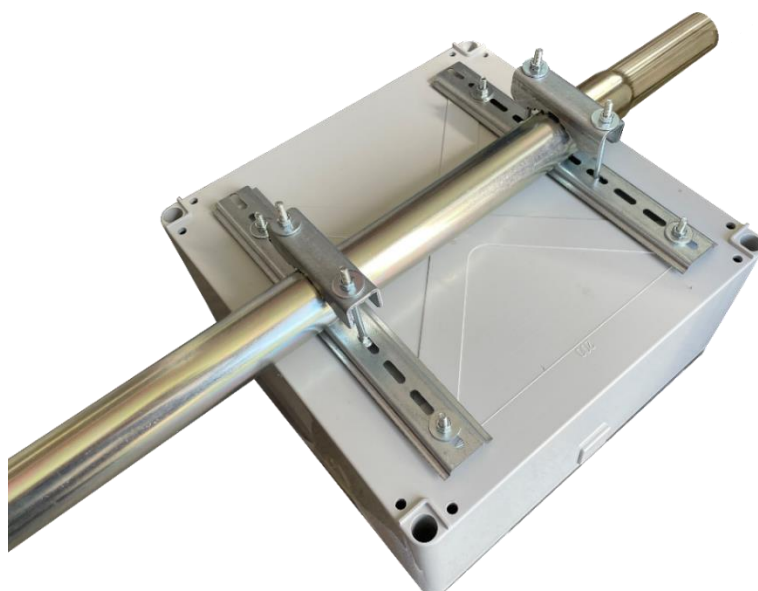
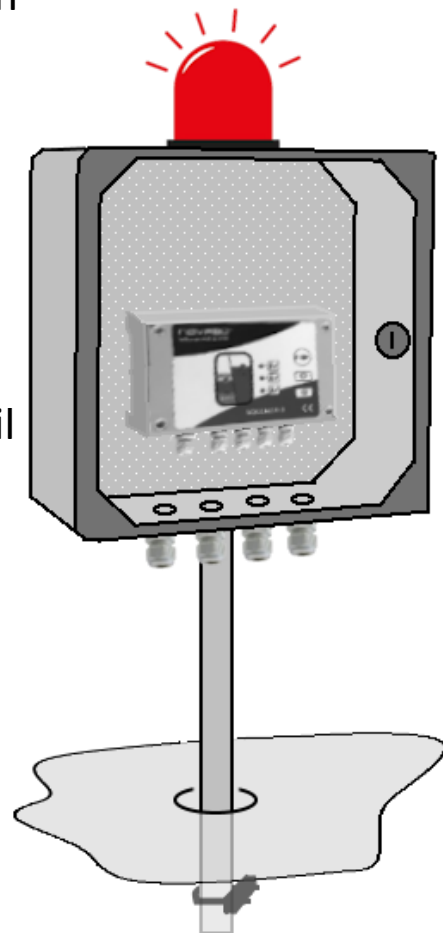


nBoxLed IP65 electrical box with a transparent lid, lock, mounting plate, a pipe to be mounted in the ground and acoustic-LED signaling.

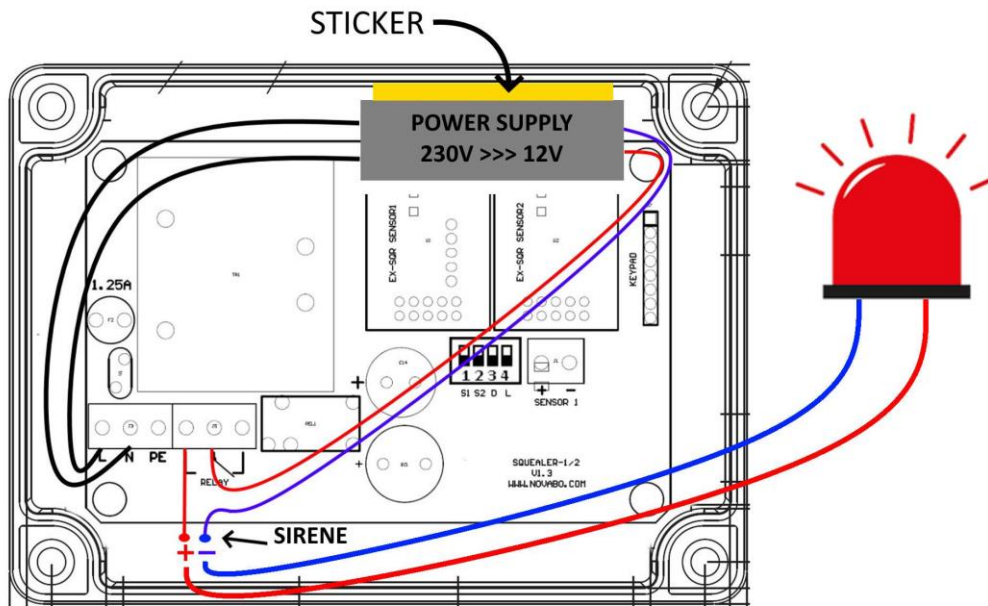
Kit contents

-  1 pcs Outdoor enclosure with lock, with IP65 protection rating
-  1 pcs Siren with a power supply
-  4 pcs Cable glands
-  4 pcs Screws for mounting the controller inside the box
-  2 pcs Metal rails
-  4 pcs Bolts for screwing the rail to the housing
-  4 pcs Bolts for screwing the housing to the pipe
-  8 pcs Pads
-  8 pcs Nuts
-  2 pcs Metal handles
-  2 pcs Pipes 1m high
-  1 pcs U-bolt preventing rotation in the ground



Method of installation

Connection using the Squealer-1 controller as an example



Technical specification

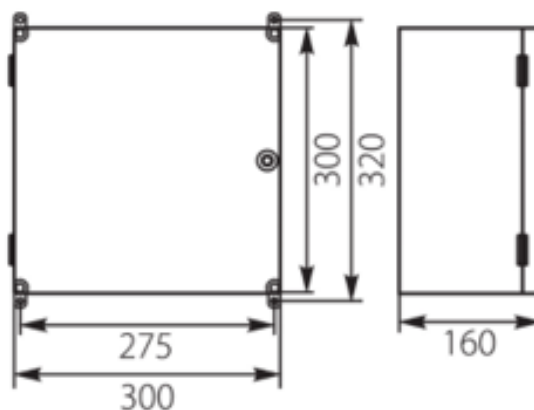
Siren specification

Current consumption	520mA
Voltage	12V DC
Sound pressure	Up to 120dB
Working temperature	-35°C ÷ +55°C
Maximum humidity	93%

Siren

Power supply

Voltage In/Out	230VAC/12VDC
Working temperature	-35°C ÷ +55°C



NOVABO

tel.: +48/58-746-37-73

www.novabo.com , novabo@novabo.com

NOVABO™
measurement and automation