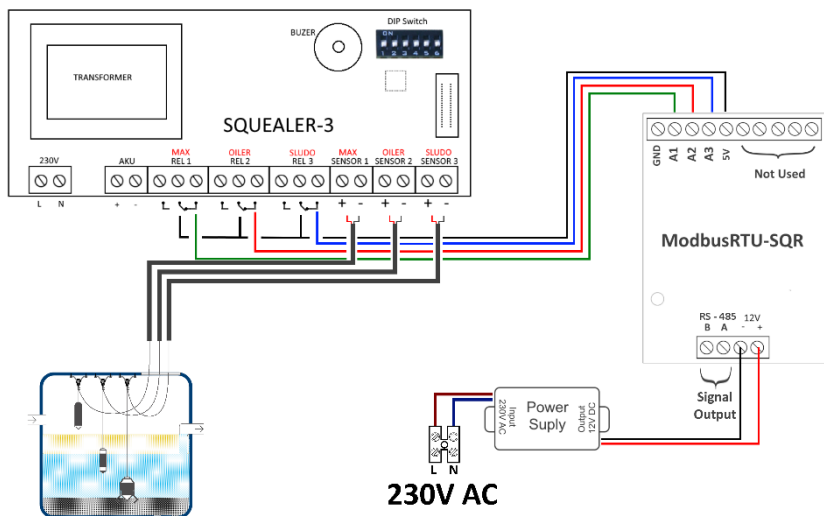


MODBUSRTU-SQR

CE – A device used to transmit the status of Squealer-1/2/3 controller relays to the BMS monitoring station using the MODBUS-RTU protocol.



Communication parameters:

- Baud rate: 9600bps
- Default address: FE
- Data bits: 8
- Parity: None
- Stop bit: 1

Connector description:

- 12V+- – Power supply
- B, A – RS485 output signal
- A1, A2, A3 – Input signals
- A4 – 5V DC

Dimensions[mm]: 135x70x50

Weight: 170g

Data Reading:

Request:

Response:

FE 03 00 00 00 03 11 C4

1 2 3 4 5

FE 03 06 00 00 00 00 00 00 6481

1 2 3 4 5 6 7

- 1 – Device address
- 2 – Function ID
- 3 – Start address for reading
- 4 – Number of memory addresses to read
- 5 – CRC checksum

- 1 – Device address
- 2 – Function ID
- 3 – Amount of returned data
- 4 – Alarm value for Max
- 5 – Alarm value for Oiler
- 6 – Alarm value for Sludo
- 7 – CRC checksum

For alarm values of individual probes greater than 00 FA, the alarm state should be triggered (OK ≤ 00 FA < ALARM).

Changing the Device Address:

FE 06 00 0E 00 01 3D C6

1 2 3 4 5

- 1 – Device address
- 2 – Function ID
- 3 – Memory cell address
- 4 – New device address
- 5 – CRC checksum

Safe Usage Instructions:

The device must be used according to its intended purpose. Before installation, please read the device manual. For installation, servicing, inspection, and repairs in areas with a potentially explosive atmosphere, follow the applicable regulations and

NOVABO

tel.: +48/58-746-37-73

www.novabo.com , novabo@novabo.com

NOVABO™
measurement and automation